

INSTALLATION OF THE ADK ADAPTER PLUG

⚠ DANGER!

ELECTRICAL SHOCK HAZARD. Turn off power to the area where you will install this unit at the circuit breaker or fuse box before beginning installation. Failure to turn off the power before installation may result in serious electrical shock, injury or death. Do not restore power until all Smoke Alarms are completely installed.

⚠ WARNING!

- Installation of this unit must conform to the electrical codes in your area; Article 760 of NFPA 70 (NEC), NFPA 72, NFPA 101; SBC (SBCCI); UBC (ICBO); NBC (BOCA); OTFDC (CABO), and any other local or building codes that may apply. Wiring and installation must be performed by a licensed electrician. Failure to follow these guidelines may result in injury or property damage.
- This unit must be powered by a 24-hour, 120VAC pure sine wave 60Hz circuit. Be sure the circuit cannot be turned off by a switch, dimmer, or ground fault circuit interrupter. Failure to connect this unit to a 24-hour circuit may prevent it from providing constant protection.

IMPORTANT!

For all other Smoke Alarm information, instructions and warnings, refer to the Smoke Alarm User's Manual.

COMPATIBLE BRK® AND FIRST ALERT® MODELS

All of the listed **BRK®** Alarms are compatible with the listed **KIDDE/FYRNETICS/LIFESAVER®** Alarms and will work with the enclosed Adapter Plugs.

BRK® Alarms

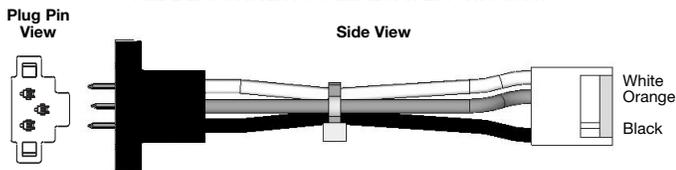
9120 Series – AC, AC/DC Ion, Silence
7010 Series – AC, AC/DC Photo, Silence
SC9120B – AC/DC Smoke/CO Combo
HD6135FB – Heat Alarm
RM4 – Auxiliary Relay

KIDDE/FYRNETICS/LIFESAVER®

1235 Series – AC Ion
1275 Series – AC/DC Ion, Hush
1285 Series – AC/DC Ion, Escape Light
1276 – AC/DC Ion, Hush, Front-Loading Battery
PE120E, PE120 – AC/DC Photo
PI2000 – AC/DC Ion/Photo
HD135F – Heat Alarm

- Maximum of 18 units total may be interconnected, (Maximum of 12 Smoke Alarms plus 6 other devices). Check for model numbers above.

Adapter Plug (ADK) Diagram for KIDDE/FYRNETICS/LIFESAVER® Models:



NOTE: Twist tie should not be removed.

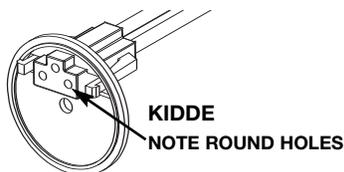
NOTE: ADAPTER PLUG CANNOT BE USED TO CONNECT KIDDE CARBON MONOXIDE ALARMS.

THE ABOVE MODELS OF KIDDE/FYRNETICS/LIFESAVER® ARE THE ONLY MODELS THAT MAY BE INTERCONNECTED USING ONE OF THE ADAPTER PLUGS INCLUDED. IF THE MODEL IS NOT LISTED, IT MUST BE REMOVED FROM THE SYSTEM.

NOTE:

INCOMPATIBLE POWER CONNECTORS:

**DO NOT ATTEMPT
INSTALLATION**



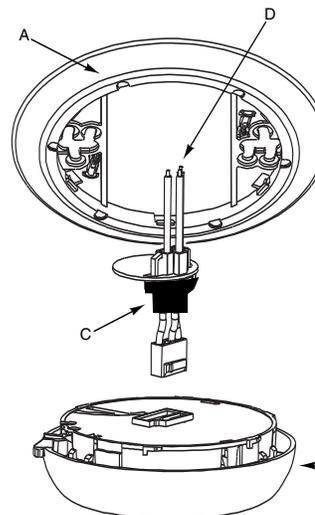
NOTE: Adapter Plug can be used on **KIDDE/FYRNETICS/LIFESAVER®** Models manufactured on or before January 1, 2004.



INSTALLATION INSTRUCTIONS

1. Verify which **MODELS** are installed in your system to determine if they are compatible with the ADK Adapter Plug (see part C below).
 2. Turn off AC power.
 3. Remove unit. Remove old mounting bracket.
 4. Install new mounting bracket (see part A below).
 5. Connect the black end of the ADK Adapter Plug to the existing power connector (connect part C to part D as shown below).
- NOTE: There may not be enough room for the Adapter Plug and additional wiring to fit in the junction box. If not, the old power connector must be removed and replaced with a First Alert® Power Connector.**
6. Connect the other end of the Adapter Plug to the appropriate Smoke Alarm (connect part C to part B as shown below).
 7. Check all connections. Make sure all plugs are completely connected and snapped together. Ensure the Adapter Plug is securely connected to the existing Power Connector.
 8. Install the base of the Smoke Alarm to the mounting bracket.
 9. Restore power to the junction box.
 10. Test each Smoke Alarm. Press and hold the test button until the unit alarms. *When testing a series of interconnected units you must test each unit individually. Make sure all units alarm when each one is tested.*

The Parts of This Installation



- A Mounting Bracket
- B **BRK®** 4120, 9120 Series Smoke Alarm
- C ADK Adapter
- D Existing compatible power connector

Electrical Rating:
120V AC, 100mA Maximum
Not for Current Interruption

Independent evaluation of the Adapter Plug and interconnect compatibility was performed by Intertek, a division of ETL SEMKO.

RECOGNIZED
COMPONENT
CONFORMS TO
UL STANDARD 1977



© 2007 BRK Brands, Inc., a Jarden Corporation company (NYSE: JAH)
3901 Liberty Street Road, Aurora, IL 60504-8122
All rights reserved.
Consumer Affairs: (800) 323-9005 • www.firstalert.com • www.brkelectronics.com
US Patent No.: 6,641,433 B2
BRK® is a registered trademark of BRK Brands, Inc.
First Alert® is a registered trademark of the First Alert Trust.
Lifesaver® is a registered trademark of Fyernetics, Inc.